

## Features

- Low cost installation and portability
- High Pressure water supply up to **102m**
- Powerful pumping capability up to **6.6m<sup>3</sup>/h**
- High efficiency motor for energy saving and longevity
- Stainless steel built for durable and long-lasting service.
- Safety operation by double-end M.seals and lip seal
- Customization on motor voltage and control mode

## Customization

- Alternative voltages/frequencies.
- Built-in capacitor or external control box
- Automatic operation with float switch
- Cable length adjusted
- Impeller & diffuser:  
AISI304 and Noryl  
optional



# SCM Series Close-coupled Submersible Pumps

## Package

Model	Length (cm)	Width (cm)	Height (cm)	Weight (kg)
SCM3(F)	53	21	17	15
SCM4(F)	56	21	17	16
SCM5(F)	60	21	17	18.5
SCM6(F)	63	21	17	20.5
SCM7(F)	67	21	17	21.5
SCM8(F)	71	21	17	23



**Stream**<sup>®</sup>  
Sign of Quality

# SCM Series Close-coupled Submersible Pumps

[www.streampumps.com](http://www.streampumps.com)



TIANJIN ELECMOTOR CO.,LTD.  
TIANJIN STREAMPUMPS INDUSTRY CO.,LTD

ADD: No.17, Xeda Jimei Ind. Park Xiqing Economic  
Development Area, Tianjin, China  
TEL: 0086-22-84180992/3/5  
FAX: 0086-22-84180998  
E-mail: sales@streampumps.com

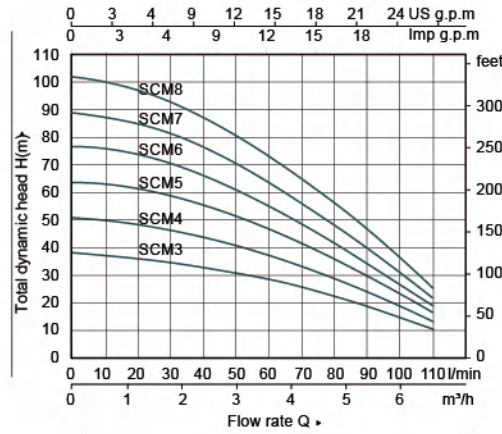


# SCM Series Close-coupled Submersible Pumps

The SCM submersible pump is a compact and powerful pump designed for use in residential and commercial well applications. It has a 5-inch diameter and close-coupled design that makes it easy to install and maintain. The pump is capable of efficiently and reliably pumping water from wells, reservoirs, and other sources.

- Pumping Liquid: Clean, free of solids and abrasives, non-aggressive.
- Maximum Submersion Depth: **80 m**
- Maximum Fluid Temperature: **35°C**
- Maximum Solid Content: **0.15%**
- Outlet Size: **1.25"**
- Minimum Well Dia.: **φ127mm**
- Protection Class: **IP68**
- Insulation Class: **F**

## Working Range



## Technical Parameters

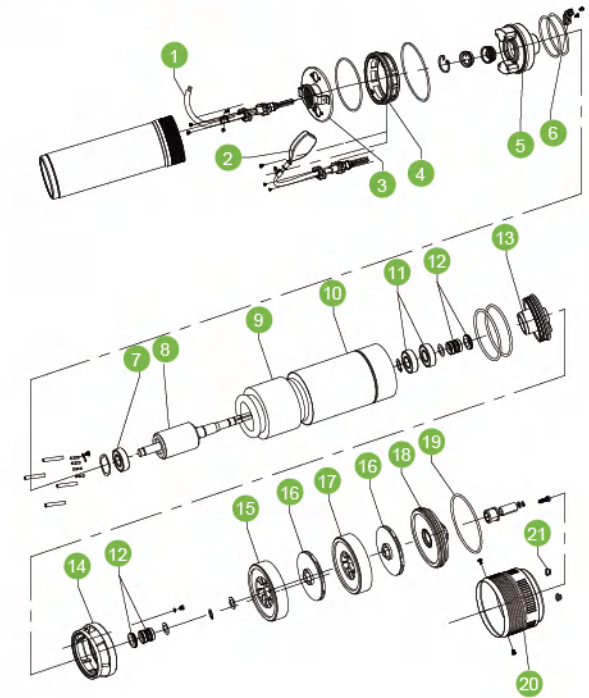
Model	Voltage		Power	Max. Flow	Max. Head
SCM3(F)			0.55 kW		38 m
SCM4(F)			0.75 kW		51 m
SCM5(F)	1phase 220-240V	3phase 380-415V	0.92 kW	110 L/min	64 m
SCM6(F)	50Hz	50Hz	1.1 kW		77 m
SCM7(F)			1.3 kW		89 m
SCM8(F)			1.5 kW		102 m

\*F with float, otherwise not.

## Applications

- Water supply from wells, tanks or reservoirs.
- Domestic, civil and industrial applications.
- Irrigation and rain water harvesting systems.
- Other garden uses.

## Explosive View



## Pump Structure

NO	Description	NO	Description
1	Cable	12	Mechanical seal
2	Float switch	13	Bottom chock
3	Outlet	14	Bottom chock support
4	Top chock support	15	Diffuser2
5	Top chock	16	Impeller
6	Trunking	17	Diffuser
7	Bearing	18	Support seat components
8	Rotor	19	O-ring
9	Stator coil	20	Base
10	Motor casing	21	Base block
11	Bearing		

## Materials

Parts	Material
Pump Housing	AISI304
Delivery	AISI304
Suction	AISI304
Rotor Shaft	AISI304
Top Chock	Cast Iron
Mechanical Seal	Graphite-Ceramic(Double end)
Diffuser	Noryl / AISI304
Impeller	Noryl / AISI304
Lubricating Oil	Food degree

